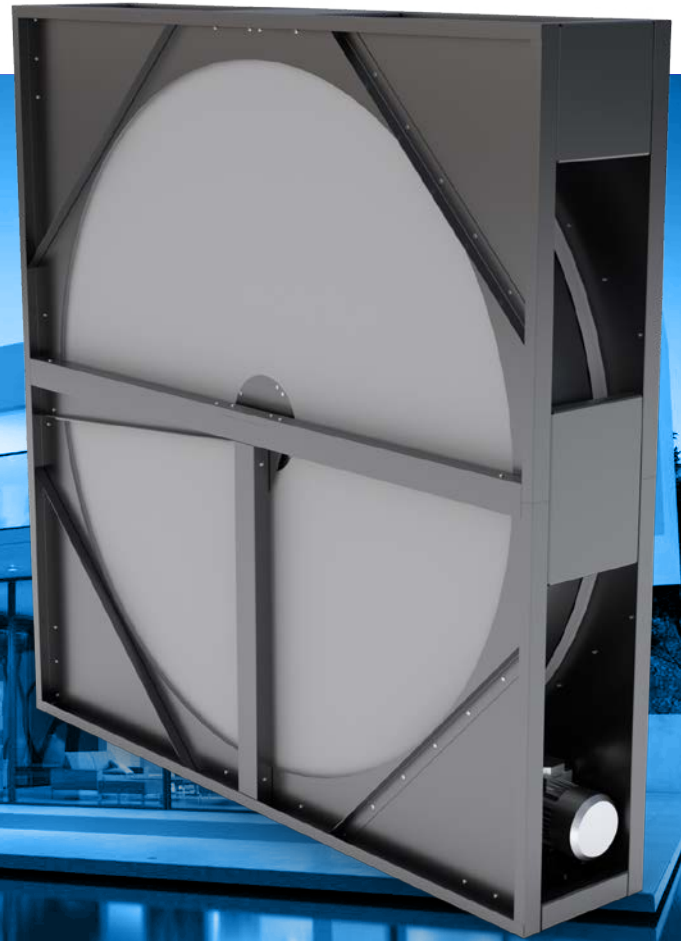




***COST-EFFECTIVE
SOLUTION***



BASIC

BASIC design represents a simple and cost-effective solution of the rotary heat exchanger cabinet. This rotary heat exchanger design developed by KASTT is characteristic by its simplicity, compact dimensions and low weight.

The complete cabinet of the rotary heat exchanger is made of galvanized sheet profiles. These profiles form a compact cabinet.

Basic rotary heat exchangers are fitted with contact (brush) or labyrinth sealing.



Key benefits

- Cost-effective solution
- Low weight
- Primarily designed as a plug-in module for air-handling units
- Short delivery term
- May be used even in combination with labyrinth sealing

Technical parameters

- Maximal rotor diameter 2400 mm
- Non-divided design, in vertical position
- Divided design possible subject to prior consultation with the manufacturer
- For all rotor types
- Possibility to choose the rotor sealing: brush or labyrinth sealing with the minimum tightness of 98,5 %

Ø
2400 mm
← MAX. →

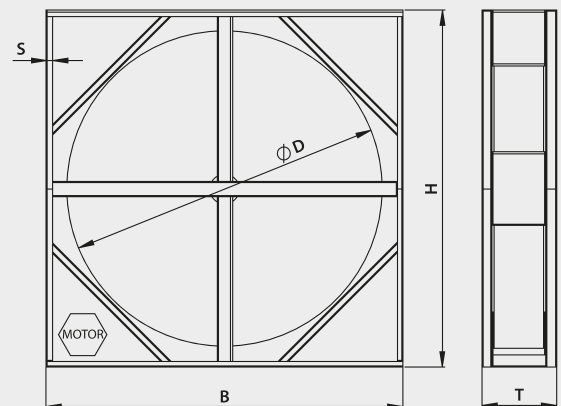


Description	ØD [mm]	B* [mm]	H* [mm]	T [mm]	T _{LAB} [mm]	S [mm]	Motor [W]
BAS 200/ØD	500 - 1100	ØD +100	ØD +100	310	370	25	40/90
undivided sheet metal design	1200 - 2000	ØD +150	ØD +150	310	370	25	180
	2100 - 2400	ØD +150	ØD +150	350	400	25	370

- ØD** rotor diameter (dimensions by 10 mm)
- B** rotary heat exchanger cabinet width
- H** rotary heat exchanger cabinet height
- T** rotary heat exchanger cabinet depth
- T_{LAB}** cabinet depth of rotary heat exchanger with labyrinth sealing
- S** profile size

Remarks:

- Rotary heat exchanger may be fitted with a supporting frame
- Winding width 200 mm
- *) Minimum dimensions (may be extended subject to customer-specific requirements; rectangular cross-section can be added after the agreement with the producer)



A subsidiary of **VINCI ENERGIES**

🏠 KASTT, spol. s r.o.
Jižní 870
500 03 Hradec Králové
Czech Republic

☎ +420 495 404 010
✉ info@kastt.cz

www.kastt.cz

